



Properties

- Miniature V3 housing
- 2 mm, flush mountable
- DC, 3-wire switching output
- Cable and connector versions

Further Products

In this series, we offer additionally:

NBB2-V3-E2-V3

Technical data like NBB2-V3-E2-V5 but:
Connection type: Device connector
M8 x 1, 3-pin



Technical Data

For detailed data and product description refer to the data sheets at www.pepperl-fuchs.com

General Data

Rated operating distance	2 mm
Installation	flush
Operating voltage	10 ... 30 V DC
No-load supply current	≤ 15 mA
Reverse polarity protection	✓
Switching frequency	0 ... 1000 Hz
Operating current	0 ... 100 mA
Short-circuit protection	pulsing
Indication of the switching state	LED, yellow
Ambient temperature	-25 ... 70 °C (-13 ... 158 °F)
Housing material	PBT
Protection degree	IP67

Model Number

Switching element function	green = preferred type		NBB2-V3-E0	NBB2-V3-E2	NBB2-V3-E3	NBB2-V3-E0-V5	NBB2-V3-E1-V5	NBB2-V3-E2-V5	NBB2-V3-E3-V5
	NPN NO	NO							
Connection type	NPN NC	NC							
	PNP NO	NO		●				●	
Connection type	PNP NC	NC			●				●
	4.8 mm Faston	4.8 mm Faston	●	●	●	●	●	●	●
	cable PVC, 130 mm	cable PVC, 130 mm	●	●	●	●	●	●	●

Approvals and Certificates

UL approval	cULus Listed, General Purpose	●	●	●	●	●	●	●	●
CSA approval	cCSAus Listed, General Purpose	●	●	●	●	●	●	●	●
CCC approval	Products with a maximum operating voltage of ≤36 V do not bear a CCC marking because they do not require approval.								

Dimensions

Length L [mm]	27.8
Width W [mm]	16
Height H [mm]	10
Connector area l _c [mm]	0 9.2

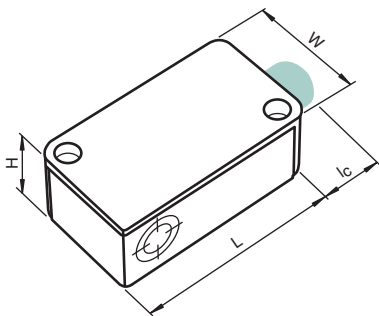
Accessories

This and more accessories can be found in chapter 10

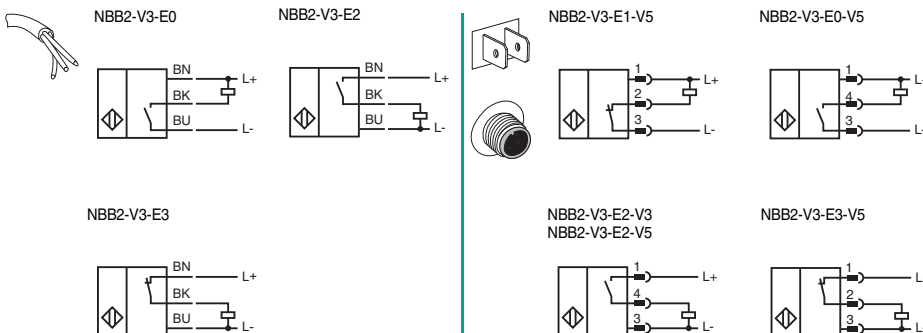
See pages from 972 ... for cordsets

See pages 1068 ... for mounting aids

V3-WM	Female connector, M8, 3-pin, field attachable
V3-GM	Female connector, M8, 3-pin, field attachable
V3-WM-2M-PUR	Cable socket, M8, 3-pin, PUR cable
V3-GM-2M-PUR	Cable socket, M8, 3-pin, PUR cable



Electrical Connection



Wire colors in accordance with EN 60947-5-2

1	BN	(brown)
3	BU	(blue)
4	BK	(black)

Date of issue 04/08/2015

Refer to "General Notes Relating to Pepperl+Fuchs Product Information".

Pepperl+Fuchs Group
www.pepperl-fuchs.com

USA: +1 330 486 0001
fa-info@us.pepperl-fuchs.com

Germany: +49 621 776 4411
fa-info@de.pepperl-fuchs.com

Singapore: +65 6779 9091
fa-info@sg.pepperl-fuchs.com

Courtesy of Steven Engineering, Inc - (800) 258-9200 - sales@steveneng.com - www.stevenengineering.com



1
.1.2



Proximity Sensors, Inductive Sensors, rectangular types



Properties

- Miniature V3 housing
- 4 mm, non-flush mountable
- DC, 3-wire switching output
- Cable version

Technical Data

For detailed data and product description refer to the data sheets at www.pepperl-fuchs.com

General Data

Rated operating distance	4 mm
Installation	non-flush
Operating voltage	10 ... 30 V DC
No-load supply current	≤ 15 mA
Reverse polarity protection	✓
Switching frequency	0 ... 500 Hz
Operating current	0 ... 100 mA
Short-circuit protection	pulsing
Indication of the switching state	LED, yellow
Ambient temperature	-25 ... 70 °C (-13 ... 158 °F)
Housing material	PBT
Protection degree	IP67

Model Number

Switching element function	green = preferred type		
	NPN NO	●	
Connection type	PNP NO		●
	cable PVC , 100 mm	●	
	cable PVC , 130 mm		●

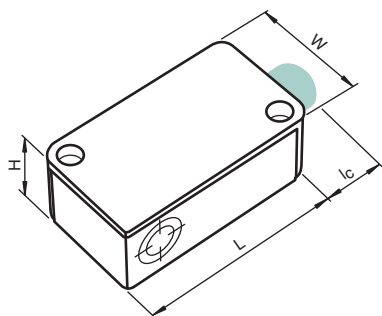


Approvals and Certificates

UL approval	cULus Listed, General Purpose	●	●
CSA approval	cCSAus Listed, General Purpose	●	●
CCC approval	Products with a maximum operating voltage of ≤36 V do not bear a CCC marking because they do not require approval.		

Dimensions

Length L [mm]	27.8
Width W [mm]	16
Height H [mm]	10
Connector area l _c [mm]	0



Electrical Connection

